



12 Bits Shift Register Latched Constant Current Driver IC

PT6956

DESCRIPTION

PT6956 is an LED Driver IC utilizing CMOS Technology used to unify the luminance of the LED panel. It is equipped with 12 bits Shift Register and Latched Constant Current Driver, Serial I/O Interface for multiple chips, Cascading and Serial Input, Parallel Output for LED Interface. Pin assignments and application circuits are optimized for easy PCB layout and cost saving advantages.

FEATURES

- CMOS Technology
- Serial I/O, Parallel Output Interface
- Constant Current Output (adjustable by external resistor for 0 to 30mA)
- Cascade Extension
- Available in 20 - pin, SO Package

APPLICATION

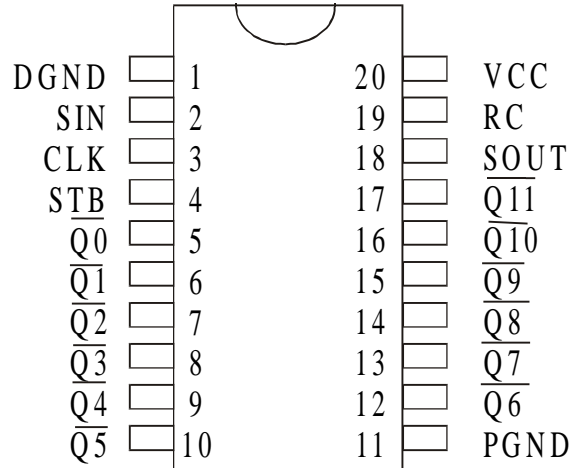
- LED Panel Driver



12 Bits Shift Register Latched Constant Current Driver IC

PT6956

PIN CONFIGURATION



ORDER INFORMATION

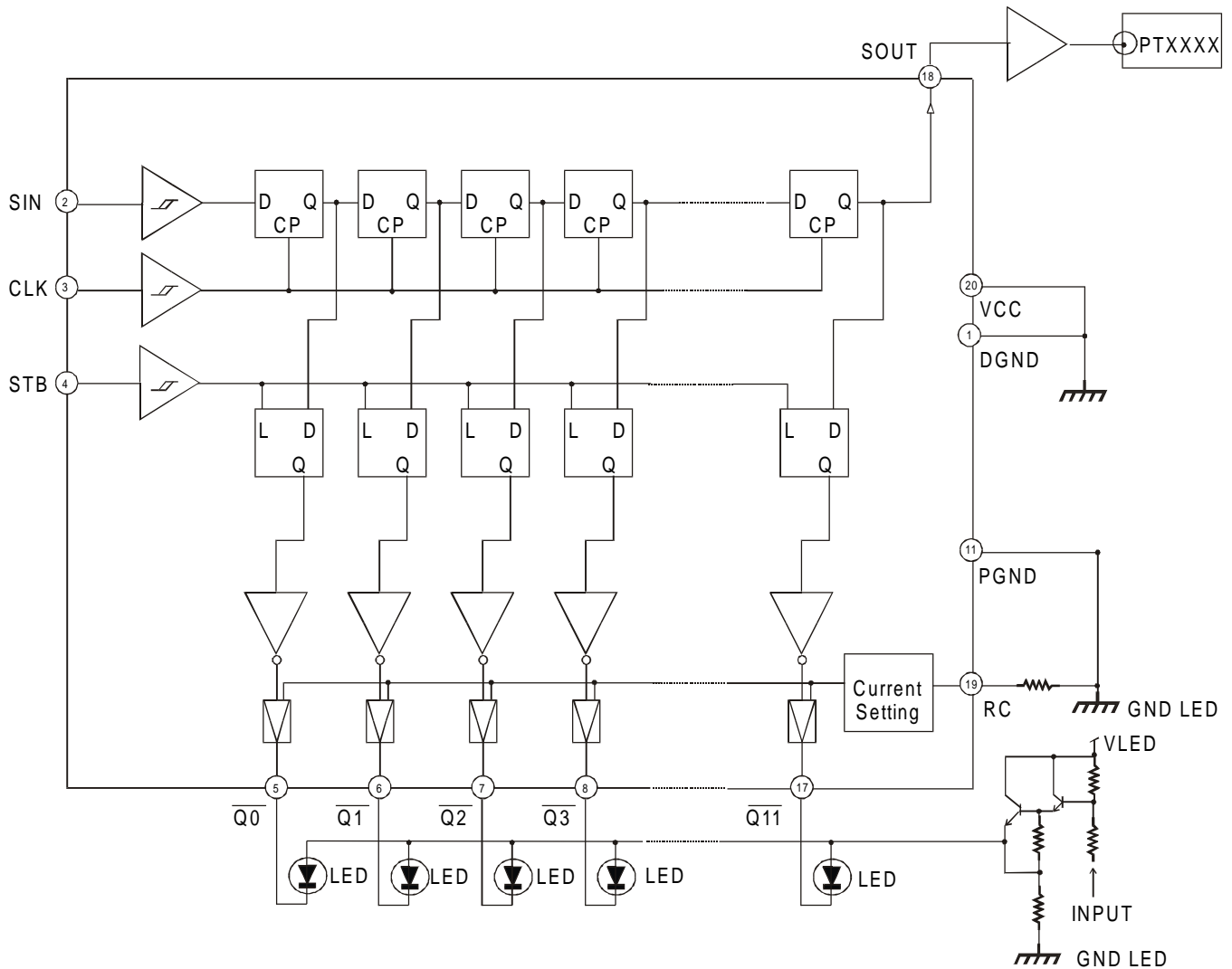
Part Number	Package Type
PT6956	20-Pin, SO Package (300 mil)



12 Bits Shift Register Latched Constant Current Driver IC

PT6956

APPLICATION CIRCUIT 1



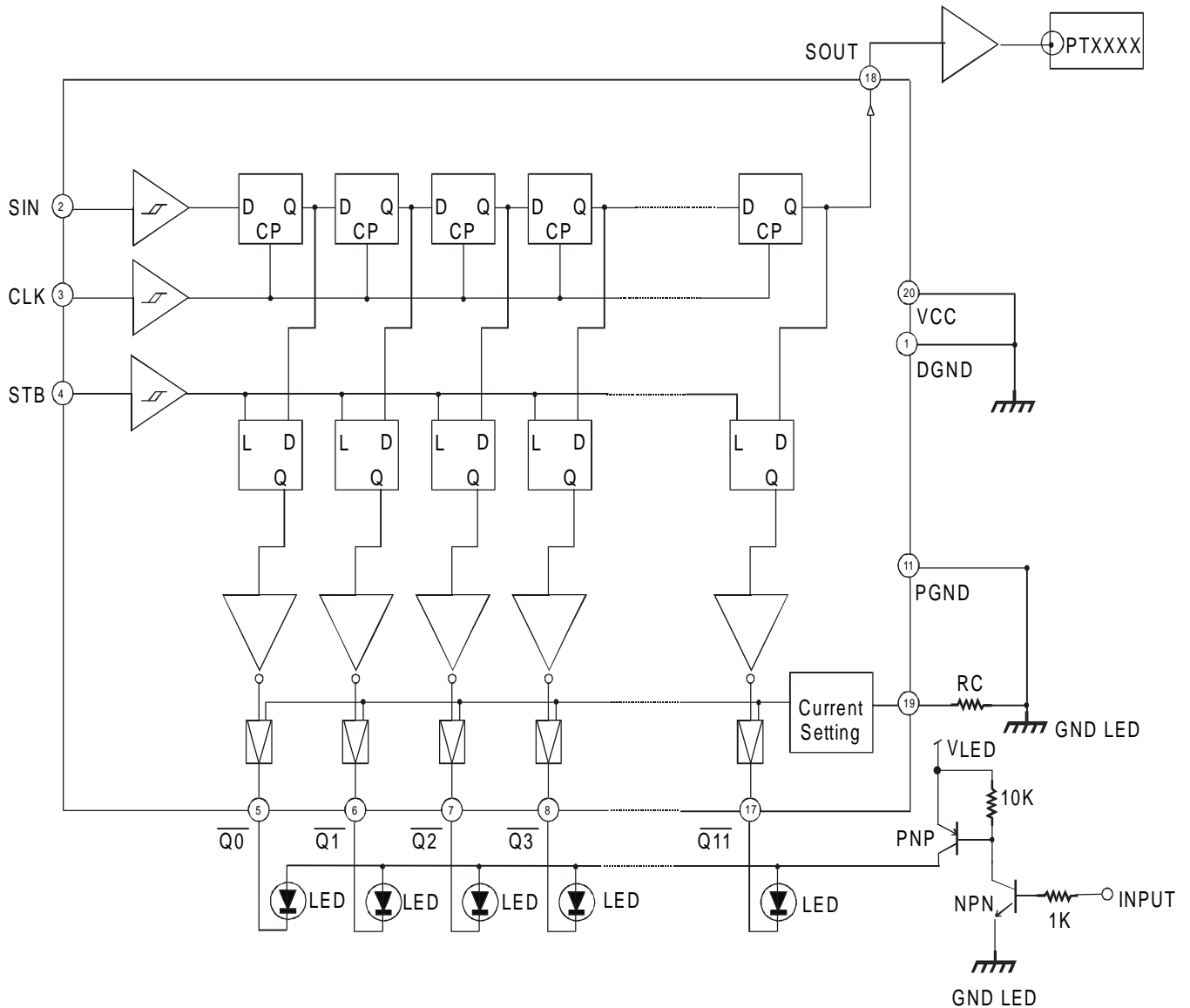
Note: VLED = External Power Supply (Maximum Value=7V)



12 Bits Shift Register Latched Constant Current Driver IC

PT6956

APPLICATION CIRCUIT 2



Note: VLED = External Power Supply (Maximum Value=7V)